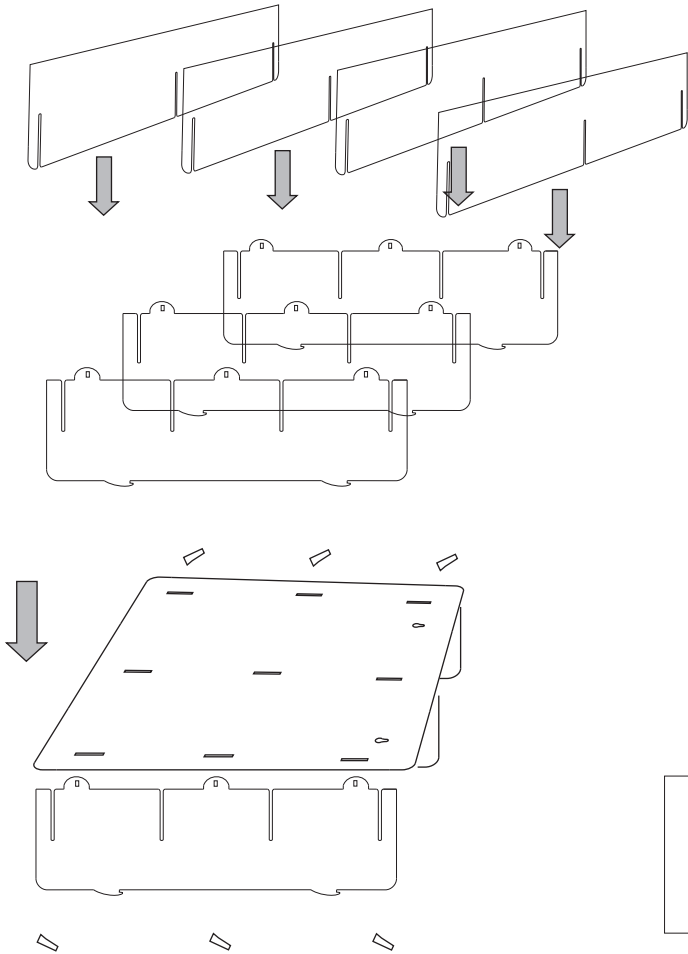
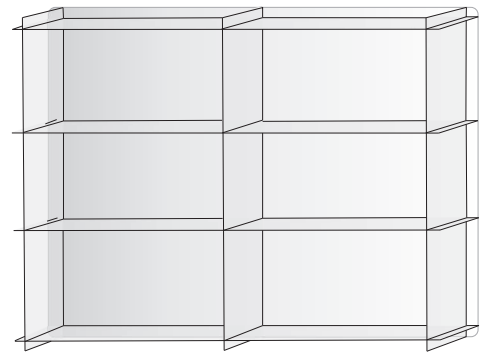


Acrylic rack made to measure



Please remove protection film from the acrylic sheets before assembling. At first, please connect the shelves to the side panels

Continue by connecting the back panel to the other parts of the vitrine. Use the small acrylic wedges to clamp the back panel.



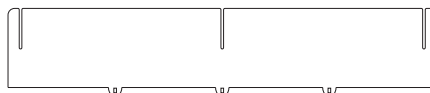
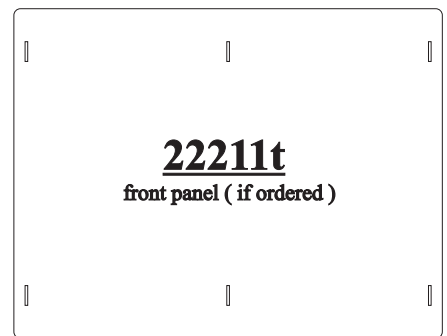
cleaning instruction:

Please do not use any cleaning agents other than water or special acrylic care products.

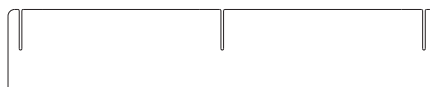
individual parts:

When ordering replacement parts, please tell us the measures of your rack (as stated in your invoice)

- width (outside dimension)
- height (outside dimension)
- depth (inside dimension)
- with or without front panel
- Number of columns and number of shelves



22211c
shelf with wedge-holders



22211d
shelf without wedge-holders

