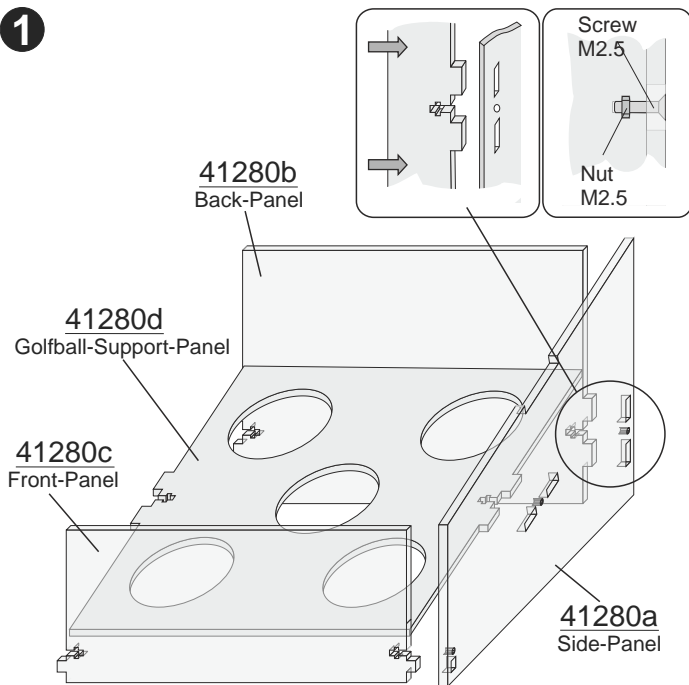


1

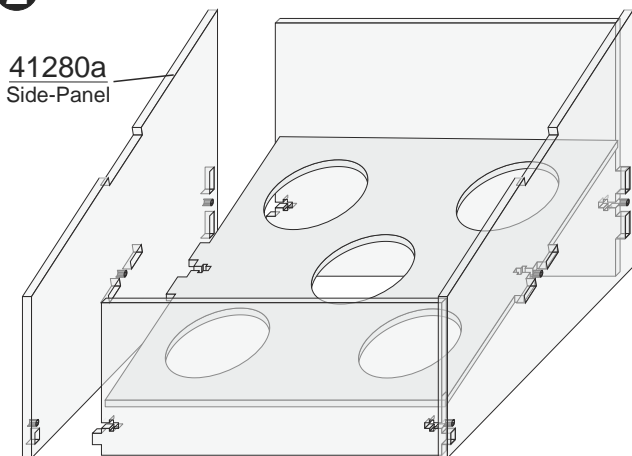


Firstly stick the back-panel 41280b into the side-panel 41280a as indicated. Make sure that the countersunk screw-holes in the side-panel are facing outwards. Use the small countersunk-screws and hexagon nuts to fix the back-panel to the side panel.

Connect the front-panel 41280c and the golfball-support panel 41280d with the side-panel 41280a in the same way.

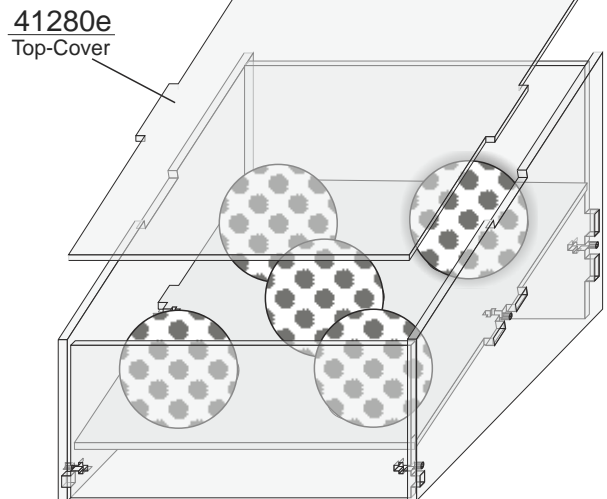
Attention: Please do not overtighten the screws!

2



Once the first side-panel is connected with the front-, back-, and golfball-support-panel, take the second side-panel and fix it to the opposite side using the small countersunk-screws and nuts.

3



Finally insert the golf-balls into the case.

Put the top-cover 41280e on top and ... you are finished!

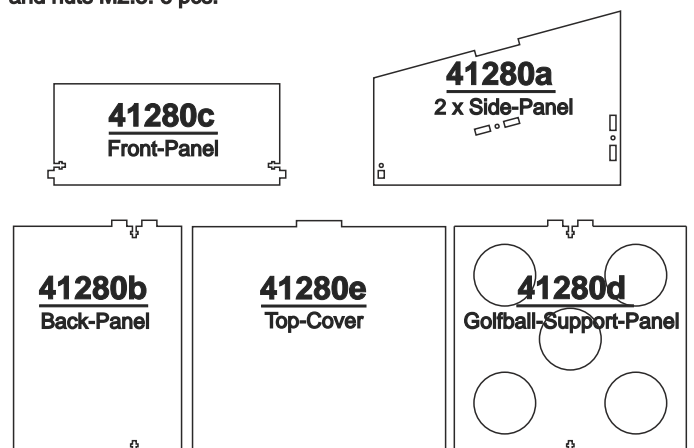
Cleaning instructions :

Please do not use any cleaning agents other than water or special acrylic care products. Many other cleaning agents contain solvents, which can damage the acrylic glass.

If you have any further questions please contact us via e-mail: info@sorashowcases.com.

Individual Parts :

Countersunk-screws and nuts M2.5: 6 pcs.



Sora-Shop.com
Am Schunkenhofe 11
D-99848 Wutha-Farnroda
info@sorashowcases.com

Business hours :
Mo - Th. 09:00 a.m. - 04:00 p.m.
Fr. 09:00 a.m. - 11:00 p.m.
+49 36921 914 11