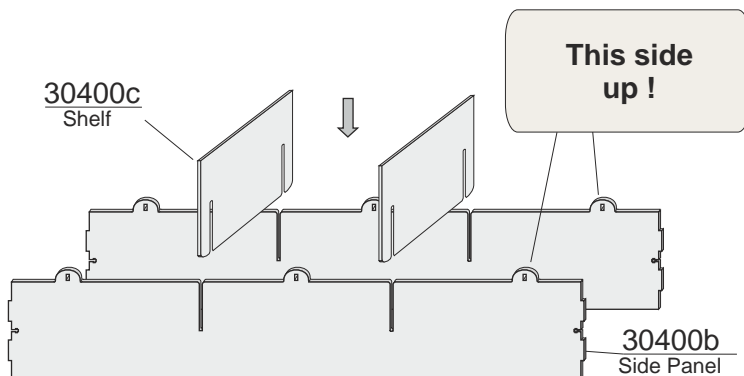
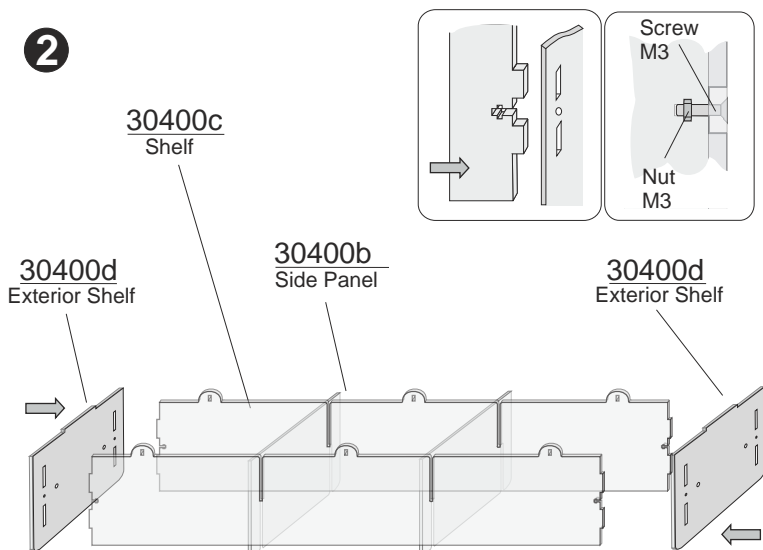


1 Please remove the protection foil from all acrylic parts (foil is on both sides).



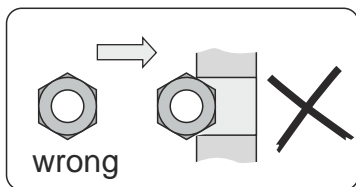
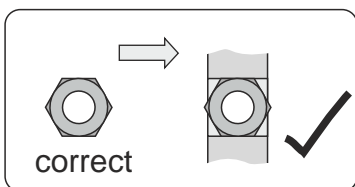
Slot the shelves 30400c (two pieces) into the side panels 30400b. Make sure that the round overlaps with the openings are up.

2

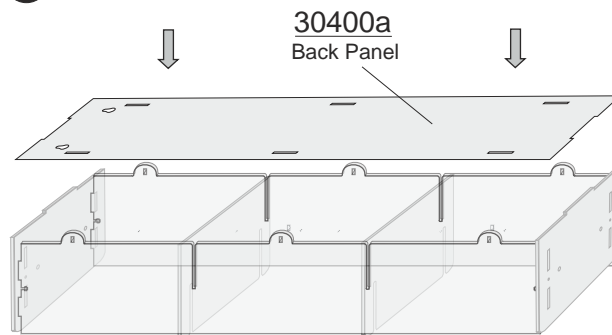


Connect the two Exterior Shelves 30400d, to the side panels 30400b using the small M3 screws and nuts. Please fasten the screws only lightly.

Please insert the nuts as shown below.



3



Finally connect the back panel to the sides and shelves. Clamp it firmly with the acrylic pegs.

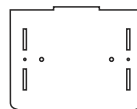
Cleaning instructions :

Please do not use any cleaning agents other than water or special acrylic care products. Many other cleaning agents contain solvents, which can damage the acrylic glass.

If you have any further questions, please contact us by e-mail or telephone.

Individual Parts :

Screws and Nuts M3 : 4 pcs.
Acrylic Pegs : 12 pcs.



30400d
Exterior Shelf

2 pcs.



30400c
Shelf

2 pcs.



30400b Side Panel

2 pcs.



30400a
Back-Panel