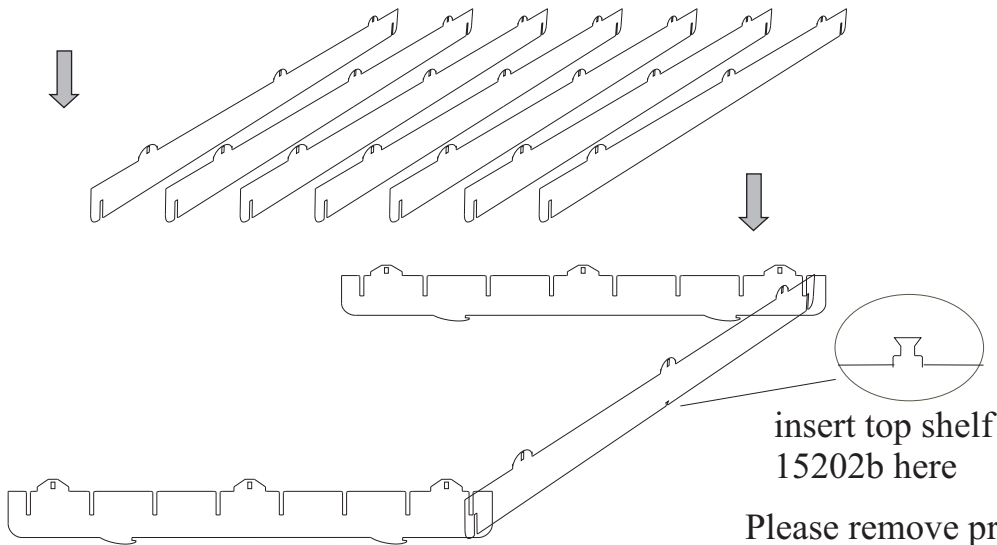
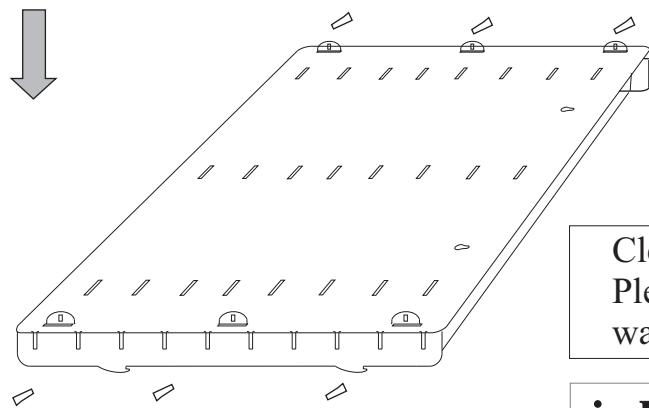


Model truck display cabinet 1/87

Item.No.: 15202



insert top shelf
15202b here

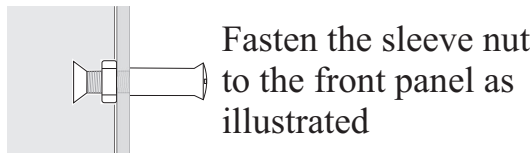


Please remove protection film from the acrylic sheets before assembling. At first, please connect the shelves to the side panels.

Continue by connecting the back panel to the other parts of the vitrine. Use the small acrylic wedges to clamp the back panel.

Cleaning instructions:

Please do not use any cleaning agents other than water or special acrylic care products.



Fasten the sleeve nut to the front panel as illustrated

Please note !
When moving the rack, please lift it at the side panels only !

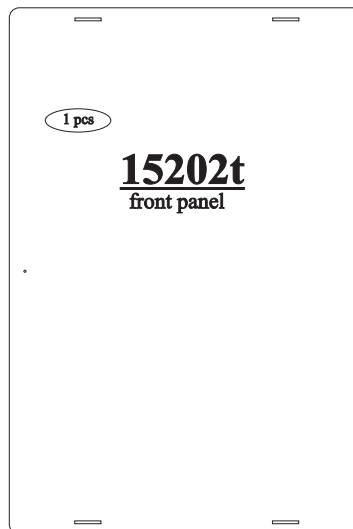
individual parts :

15202x wedge 30 pcs

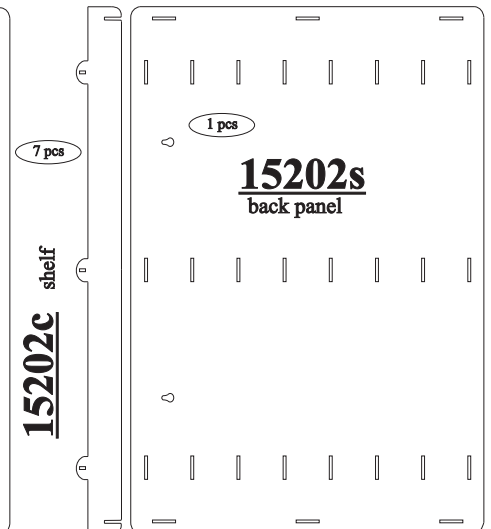
15202z screw M3, nut and sleeve nut 2 pcs

15202a side panel 2 pcs

15202b top shelf 1 pcs



15202t
front panel



15202s
back panel

15202c
shelf

