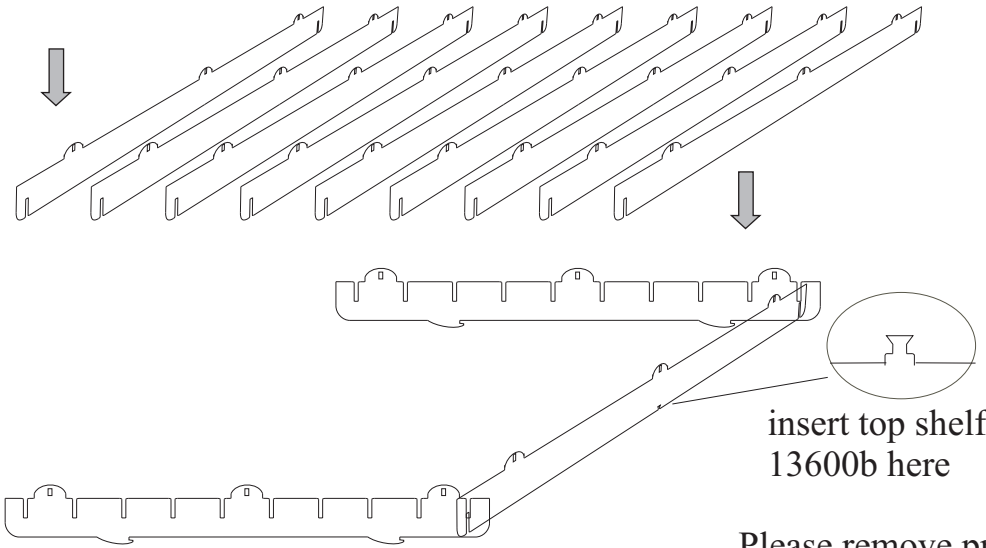


Model railway N display cabinet

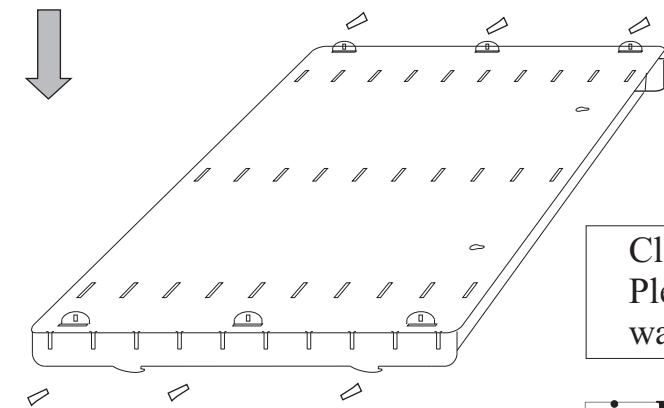
Item.No.: 13600



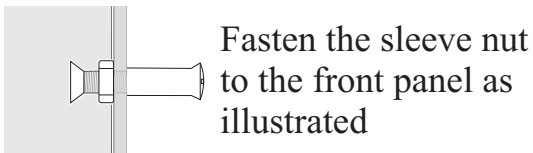
insert top shelf
13600b here

Please remove protection film from the acrylic sheets before assembling. At first, please connect the shelves to the side panels.

Continue by connecting the back panel to the other parts of the vitrine. Use the small acrylic wedges to clamp the back panel.



Cleaning instructions:
Please do not use any cleaning agents other than water or special acrylic care products.



Fasten the sleeve nut to the front panel as illustrated

Please note !
When moving the rack, please lift it at the side panels only !

individual parts :

- 13600z** screw M3, nut and sleeve nut (1 pcs)
- 13600a** side panel (2 pcs)
- 13600b** top shelf (1 pcs)
- 13600x** acrylic wedges (30 pcs)
- 13600t** front panel (1 pcs)
- 13600c** shelf (9 pcs)
- 13600s** back panel (1 pcs)

