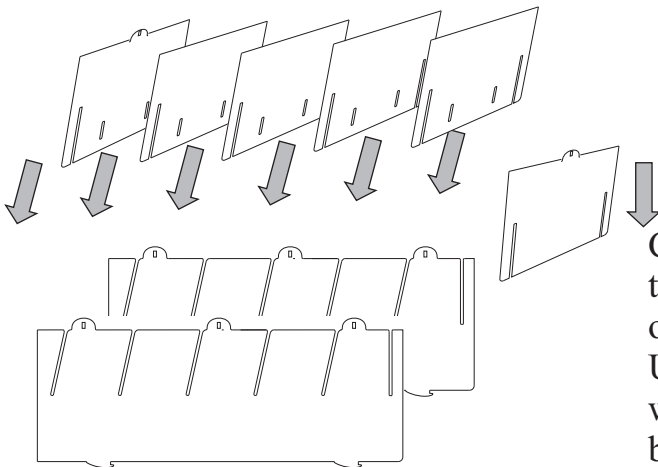


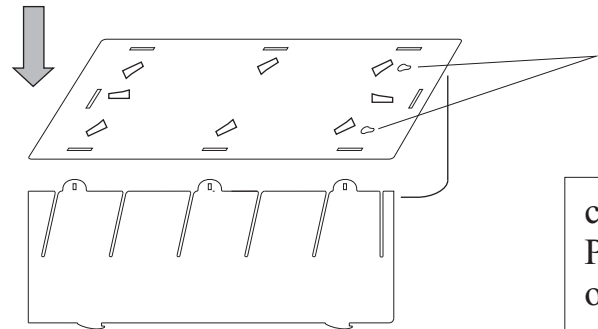
Slotcar tower 1/32

Item.No.: 14100

Please remove protection film from the acrylic sheets before assembling.
At first, please connect the shelves to the side panels.



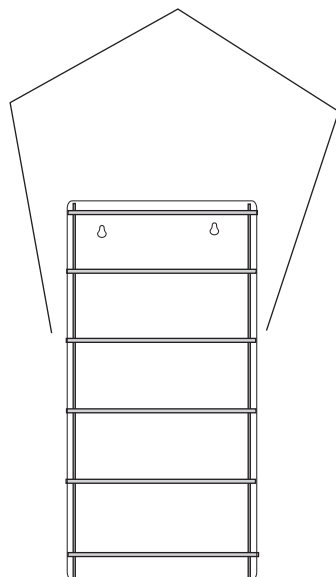
Continue by connecting the back panel to the other parts of the vitrine. Use the small acrylic wedges to clamp the back panel.



suitable for wall mounting or mounting on the floor

cleaning instruction:
Please do not use any cleaning agents other than water or special acrylic care products.

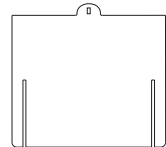
Please note !
When moving the rack, please lift it at the side panels only !



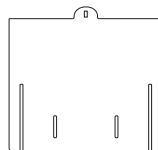
individual parts :

14100x 8 pcs
acrylic wedges

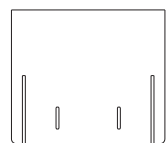
14100c
top shelf
1 pcs



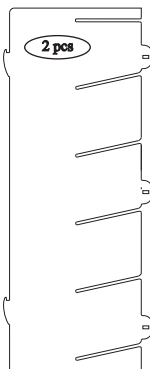
14100e
lower shelf
1 pcs



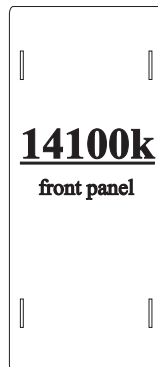
14100d
shelf
4 pcs



14100f
side panel
2 pcs



14100k
front panel
1 pcs



14100s
reflective back panel
OR
14100t
transparent back panel
OR
14100u
black back panel
1 pcs

