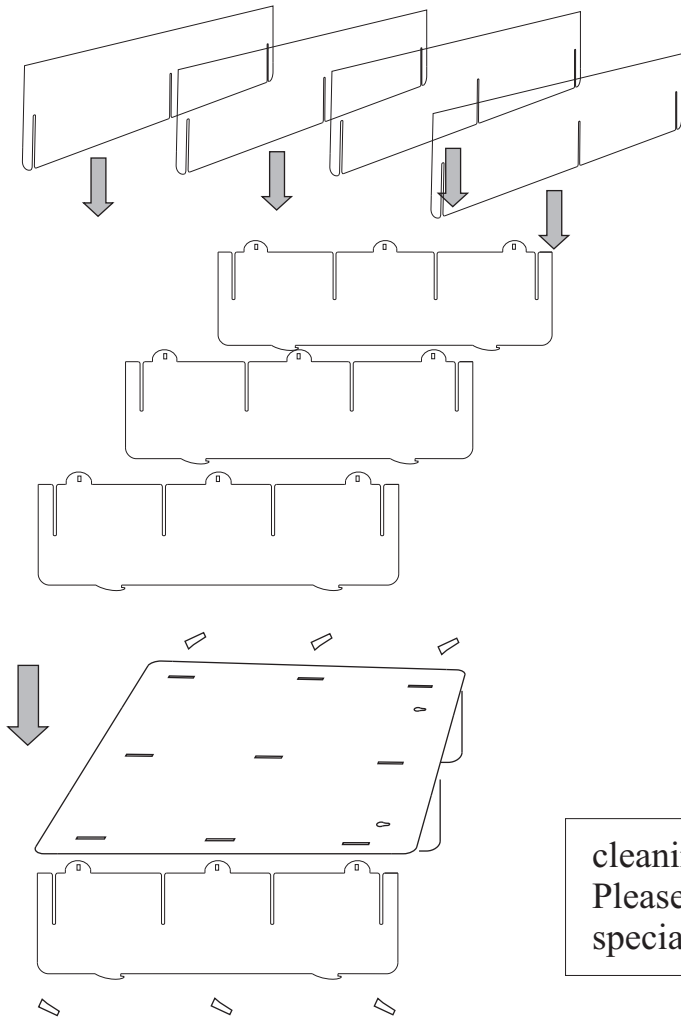


Model car display cabinet 1/18

Item.No.: 10860

Please remove protection film from the acrylic sheets before assembling. At first, please connect the shelves to the side panels.

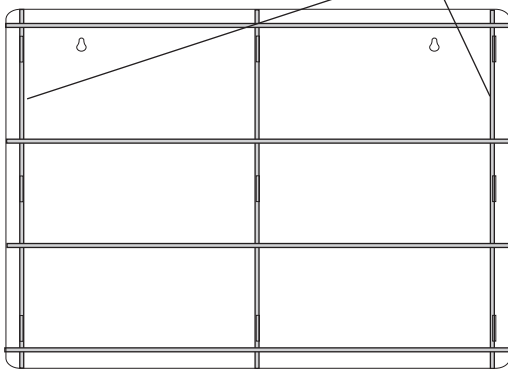
Continue by connecting the back panel to the other parts of the vitrine. Use the small acrylic wedges to clamp the back panel.



cleaning instruction:


Please do not use other cleaning agents than water or special acrylic care products.


Please note !
When moving the rack, please lift it at the side panels only !




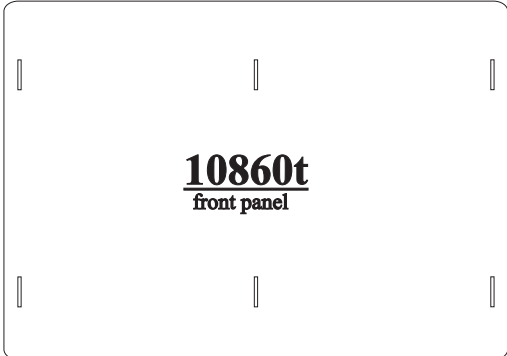
suitable for wall mounting or mounting on the floor

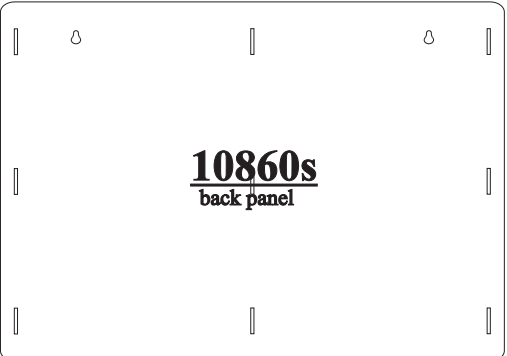
individual parts:


10860x 9 pcs
wedges


4 pcs
10860c shelf


3 pcs
10860b side panel


10860t
front panel


10860s
back panel