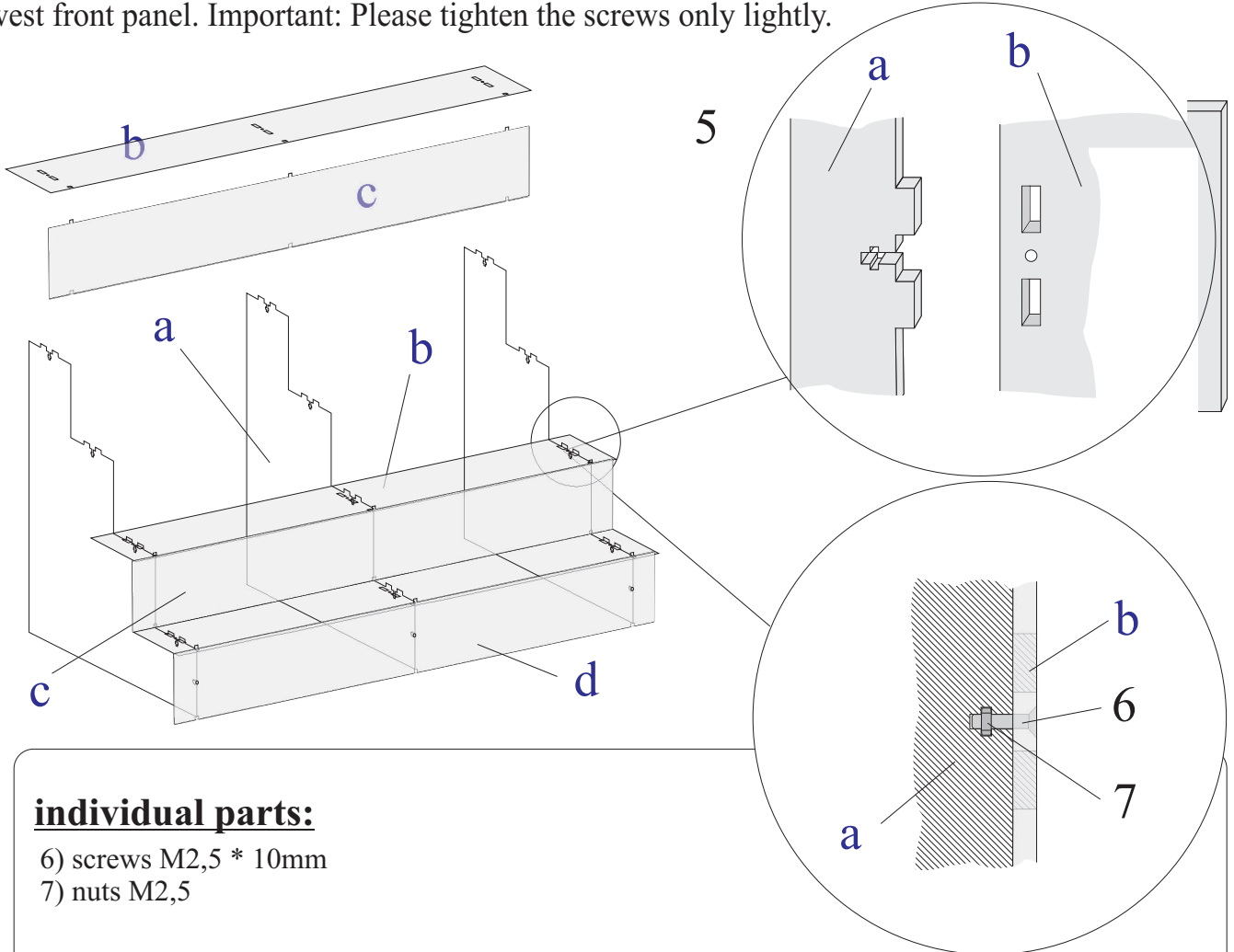


Acrylic staircase made to measure

After removing the protection film from both sides of the acrylic sheets, please bolt the top step together with the side panels. If your staircase is very large or has more than two side panels, we recommend to ask another person to help (i.e. to hold the side panels upright while you insert the steps). Insert the step - front panel below the top step. Continue by connecting the next step to the side panels. This will clamp the front panel between the two steps. Repeat this procedure until you arrive at the lowest front panel. Important: Please tighten the screws only lightly.



individual parts:

- 6) screws M2,5 * 10mm
- 7) nuts M2,5

