

# Donation box made to measure

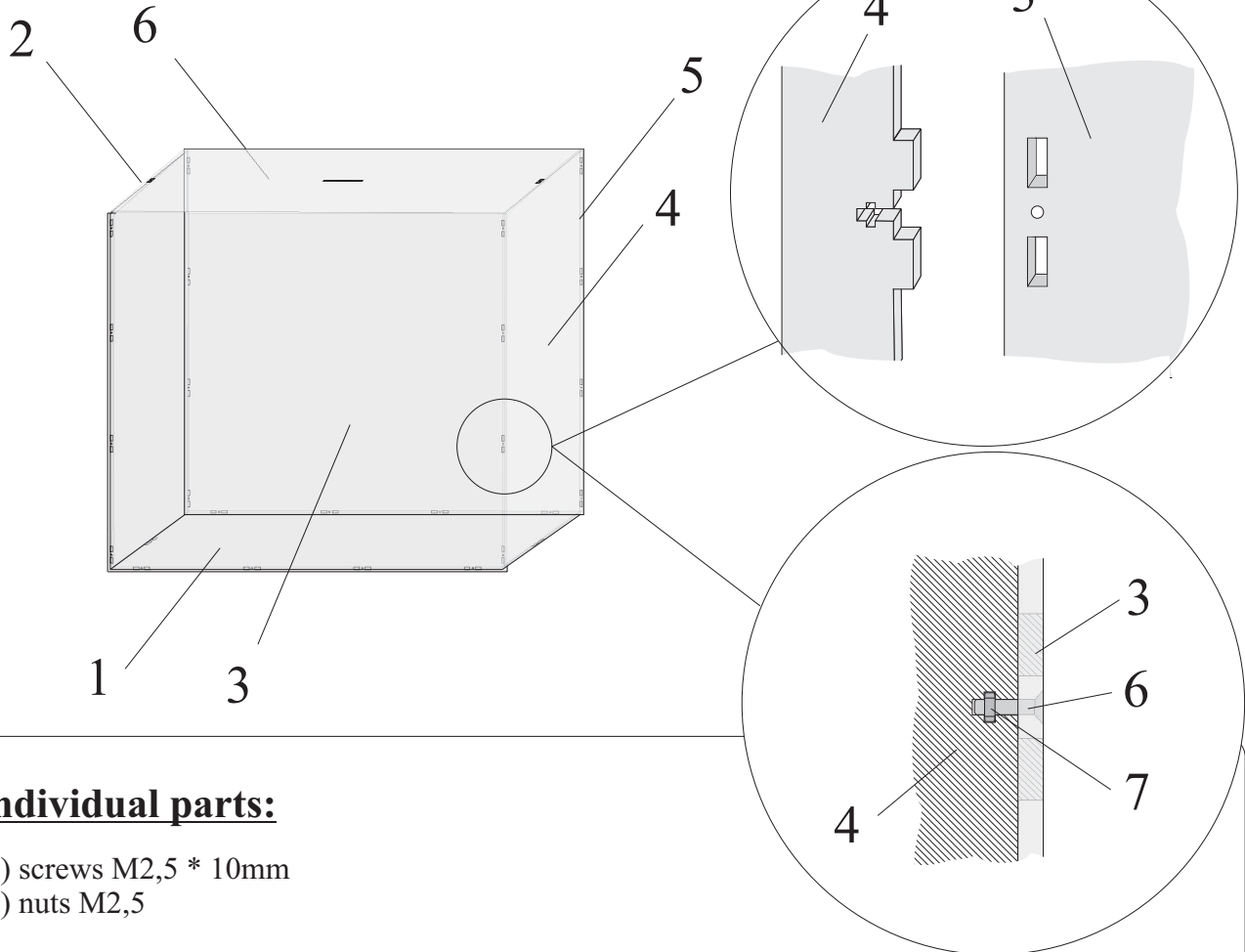
sorashowcases.com

Item No.:20300

Phone  
(0049) 36921 91434

E-Mail:  
info@sorashowcases.com

Begin assembly of the case by putting the front panel on a flat surface (i.e. table). Connect the side panels and the top cover to the front panel. Use the screws and nuts to bolt together the side panels and the cover of the acrylic case (compare the illustration below). Repeat this procedure for the back panel and the front panel.  
Important: Please tighten the screws only lightly.



## individual parts:

- 6) screws M2,5 \* 10mm
- 7) nuts M2,5

