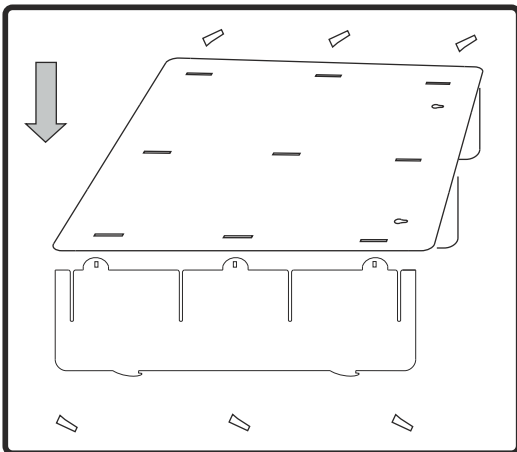
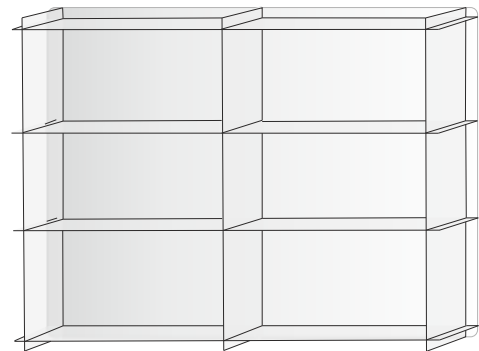


Please remove protection film from the acrylic sheets before assembling. At first, please connect the shelves to the side panels

Continue by connecting the back panel to the other parts of the display cabinet. Use the small acrylic pegs to clamp the back panel.



Cleaning Instructions:

Please do not use any cleaning agents other than water or special acrylic care products. Many other cleaning agents contain solvents, which can damage the acrylic.

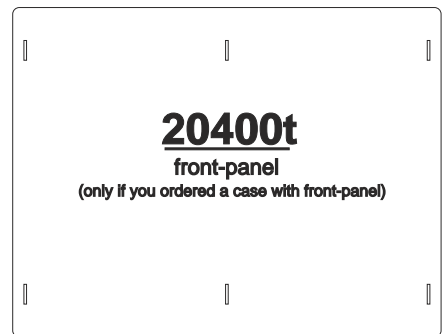
Individual parts:

Please tell us the exact part number and the properties of your custom display cabinet if you need a replacement part

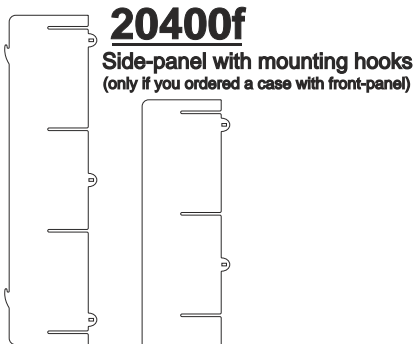
- outside width
- outside height
- inside depth
- with or without front-panel
- number of shelves and columns



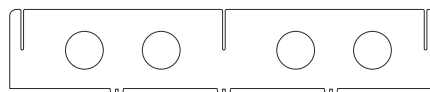
20400x
Acrylic Pegs



20400t
front-panel
(only if you ordered a case with front-panel)



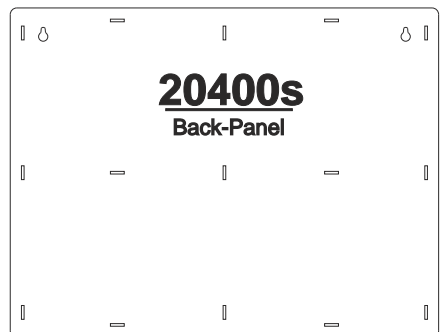
20400f
Side-panel with mounting hooks
(only if you ordered a case with front-panel)



20400c
Shelf with peg-holders



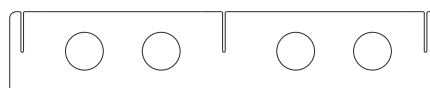
20400g
Top shelf with peg-holders



20400s
Back-Panel



20400e
Side-panel without mounting hooks



20400d
Shelf without peg holders